



DOOR ARM ASSEMBLY

INSTALLATION GUIDE

Short form Installation guide for Push, Pull and Double Egress Arms.



IMPORTANT NOTES

READ THIS SECTION BEFORE PROCEEDING WITH INSTALLATION

PORTALP USA, Inc. (**PORTALP**) recommends that all its automated pedestrian door products be installed by a trained automatic door technician and that the resulting performance of the product be in full compliance with the most current version of the American National Standards Institute document A156.10 or A156.19 (whichever is applicable) as well as any applicable building codes and/or fire codes. **PORTALP** further recommends that a full inspection of the operating system be performed in accordance with the guidelines of the American Association of Automatic Door manufacturers (AAADM). This inspection must be performed by a certified AAADM trained inspector. **PORTALP** recommends this documented inspection be performed upon completion of the installation as well as, following the completion of every service call thereafter. If service is not performed within one year of the previous service action, a routine AAADM inspection should be performed and documented. Under no circumstance should the product operate for more than one year without an AAADM inspection. **PORTALP** does NOT recommend installation or service, on any of their automated pedestrian door products, by any individual who is not certified as an AAADM inspector.

Following the installation or service of any **PORTALP** automated pedestrian door product, if it is deemed unsafe, or is operating in an unsatisfactory manner according to national performance standards or recommended performance guidelines as defined by **PORTALP**, repairs should be made immediately. If an immediate repair cannot be made, the product should be disabled, and appropriate measures should be taken to secure the door in a safe position or to enable the door to safely be used manually. During this situation, every effort should be made to notify the owner (or person responsible) of the condition and to advise on corrective actions that must be taken to return the product to safe operation.

The data contained in this document are the property of PORTALP and should not be changed without prior agreement of the manufacturer.



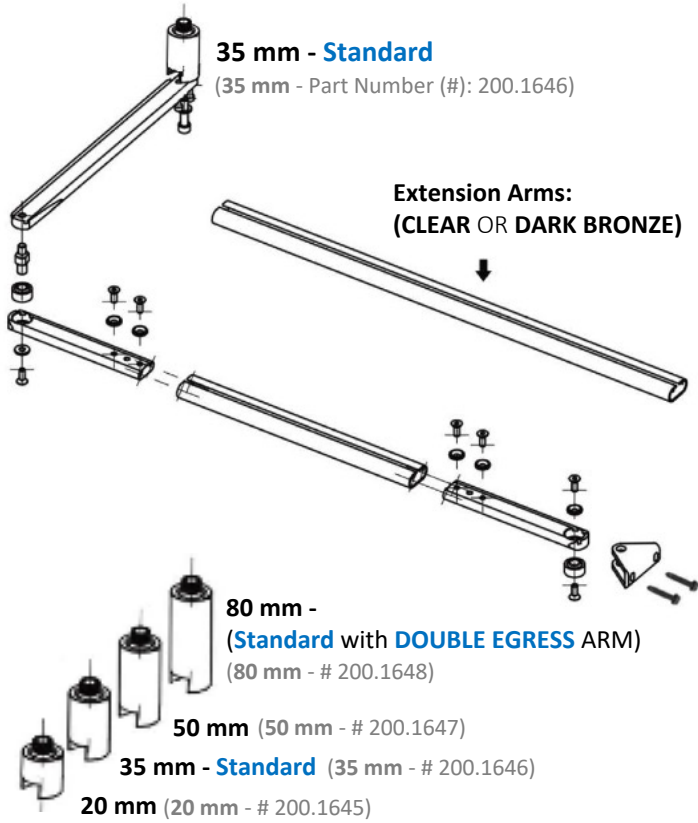
PORTALP USA, Inc.
16170 Lee Rd, Suite 100
Fort Myers, FL 33912

800-474-3667
sales@portal.com

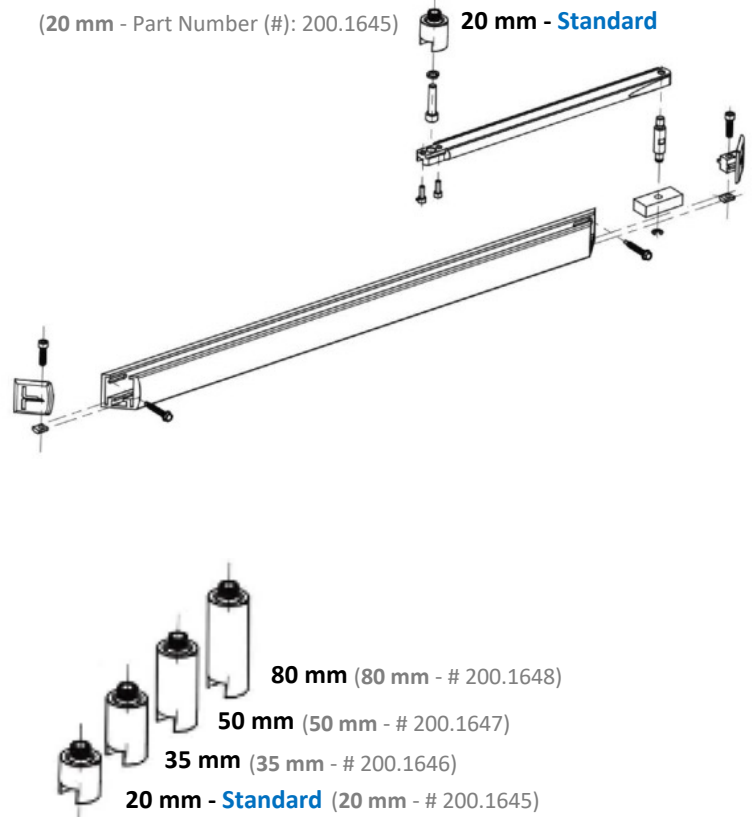
Door Arm Assembly for Automatic Pedestrian Swinging Door Operators

WWW.PORTALP.COM

PUSH ARM (CLEAR OR DARK BRONZE)



PULL ARM (CLEAR OR DARK BRONZE)



DOUBLE EGRESS ARM (CLEAR OR DARK BRONZE)

