



ISO3 OPERATOR

Electromechanical operator for swing doors

UNIVERSAL PRODUCT
EASY INSTALLATION

EMERGENCY EXIT
Public establishments (ERP)



FIRE SAFETY
Force EN3 to EN6



A user friendly operator for a number of applications.

ISO 3 is the ideal choice for all applications that require:

- Power and management for high traffic
- Safety of people and buildings in accordance with applicable regulations
- Flexible and soft opening for the elderly and handicapped
- Comfortable and clean for access in sensitive areas

ISO3 A multitude of applications, a single operator

NEED+

LOW ENERGY MODE
Comfortable and safe movements for elderly & handicapped



NURSING HOMES, HOMES FOR ELDERLY PEOPLE ...

Bring comfort and safety to your residents, providing assistance to the elderly for whom opening a door is sometimes difficult or tricky.

NEED+

MANAGING OVERPRESSURE IN STERILE ENVIRONMENT



HOSPITALS, CLINICS,
PRESERVE HEALTH IN YOUR INSTITUTION WHILE FACILITATING EASY MOVEMENT IN THE CORRIDORS .
In a medical environment, cleanliness and hygiene are vital. It is a major challenge to limit the contamination of door handles by hand contact.

ISO3 DELIVERS EFFICIENCY AND PERFORMANCE IN ALL SCENARIOS.



All types of opening control, safety and locking systems are possible, depending on usage, access issues (high traffic, elderly & handicapped) and environmental constraints (hygiene, cleanliness, wind, pressure, etc.).

OPERATING TYPES

- Fully Automatic
- Power Assisted
- Push and Go

OPERATING MODES

- Auto/Open/Closed/Entry/Exit/Manual

STANDARDS

- Low Energy
- EN16005
- ANSI 156.19
- EN3-EN6. fireproof

PROGRAMMING

- Programmable Inputs/Outputs
- Diagnostics

TYPES OF ELECTRIC LOCKS

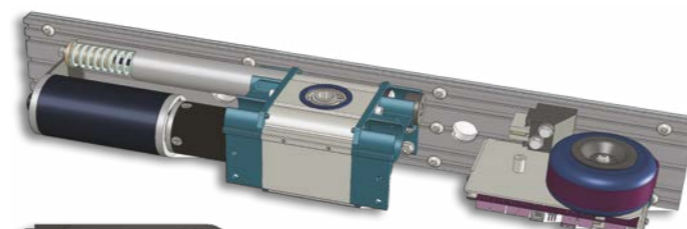
- Motorized locks
- Electric strikes
- Door holders ...



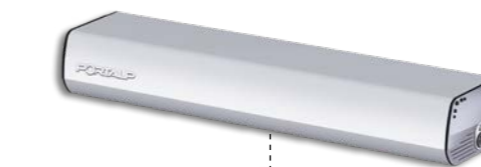
- Radars and detections
- Opening controls with or without contact
- Key mode selector
- Console for switching mode and user settings

ZOOMS

CLOSE-DOOR FUNCTION
By return spring



- 3- POSITION SELECTOR**
- Open/Auto/Manual
 - Reset button
 - Door status signaling (Diagnostics)



COMPAS PUSHING ARM
Left / Right opening



GUIDE RAIL PULLING ARM
Left / Right opening



NEED+

SAFETY OF PREMISES
Managing many types of locking



PUBLIC AND ADMINISTRATIVE BUILDINGS,
SHOPS, HOTELS, RESTAURANTS ...

Traffic density here is often very high. Both users and operators appreciate automatic doors that can be opened smoother and more safely.

NEED+

MANAGING INTENSE TRAFFIC



AIRPORTS,
QUICK AND SAFE ACCESS.

At airports, the speed of movement of passengers is a key performance factor. The ability to adapt to all conditions (including climate) is an added advantage.

ISO3 SPECIFICATIONS

| MECHANICAL | PUSHING | FIRE RATED PUSHING | PULLING |
|-----------------------------|---------------------------------------------------------------------------------------------|----------------------------------------------|-------------------------------------------------------------------|
| Assembly | Horizontal on door frame, right or left | | |
| Dimensions (H x D x L) | 4" x 5.35" x 25.6" | 4" x 5.35" x 30" | 4" x 5.35" x 25.6" |
| Arm | Telescopic compass arm - satin black finish | | Guide rail arm, satin black |
| PERFORMANCE | | | |
| Max. opening angle | 120° | 95° | 95° |
| Min/max. leaf width | Single: 28.3" - 59" Double: 57" - 118" | Single: 30.7" - 55.1" Double: 59" - 118" | Single: 32.2" - 59" Double: 45.2" - 118" |
| Max. weight* | 551 lb <small>*Please refer to the Table (width 31.5")*</small> | 551 lb <small>(width 43.3")*</small> | 352.7 lb <small>(width 31.5")*</small> |
| Pulling door - closer power | 352.7 lb | EN 3 to EN 6 according to EN 619372 / EN1154 | 220.45 lb |
| Vertical adjustment | Operator base - Passage height H.: 0 - 2" H.: 2" - 4" | | Operator base - Door height H.: 1.8" - 3.7" H.: 3.7" - 5.7" |
| Horizontal adjustment | Lintel depth P.: 0 - 7.9" P.: 7.9" - 15.7" (optional) | | Wall plate / wall P.: ±0.4" |
| Adjustable speeds | Opening : 10 to 60°/s Closing : 10 to 50°/s | | |
| Hold opening time | 0 to 25 s 3 hold times: Complete opening, Master-slave partial opening, Priority opening | | |
| Sound level | 55 dBA measured from a distance of 9.8" | | |

ELECTRICAL ENVIRONMENT

| | |
|-----------------------|-------------------------------------------------------------------------------------------------------------|
| Power supply | 230 V AC / 120 V AC, 50/60 Hz ±10 % with earth |
| Consumption | At rest 10 W - Max. 120 W |
| Humidity rate | 10 % to 85 % without condensation |
| Operating temperature | -4 ° F to +140 ° F |
| Lock control | 12 VDC or 24 VDC / 12 W max. |
| Standards | EC - EN 61000 6-3 - EN 61000 6-2 - EN 16005/IS - UL325 EN 60335 - EN 13849-1 - NFS 61937-1 - NFS 61937-2 |

FEATURES

| | |
|-------------------------------------------------------------|---------------------------------------------------------|
| Push & Go | 6 operating modes |
| Master - slave leaf synchronization | Code management |
| Airlock door management | Fault diagnostics/history |
| Management of doors in overpressure or in negative pressure | Cycle counter |
| Reset | |
| Programmable inputs: | Programmable outputs: |
| - 2 inputs Closing/Opening safety NO/NC/Self-controlled | - 2 relay outputs Travel Limit Open/Travel Limit Close/ |
| - 1 control input Internal NO/NC/Frequency | Technical alarm/Person with reduced mobility |
| - 1 control input External NO/NC | - 1 locking output: Inrush current/No current |
| - 1 input Key/Priority opening | Stationary/Motorized |
| - 1 input 6P/3P selector | |

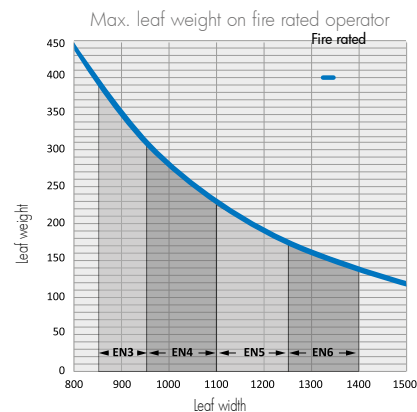
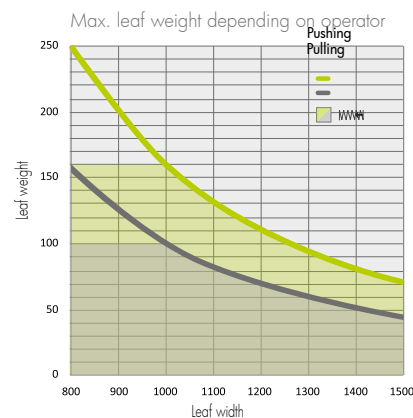
EQUIPMENT / OPTIONS

| | | | |
|--------------------------------|---|-------------------------------------------------|---|
| 3-P selector | ● | Pushing shaft extension 1.8" - 3.7" | ○ |
| 6-P selector | ○ | Pulling shaft extension 3.7" - 5.7" | ○ |
| Naviblu console | ○ | Fire detection module (Actuated Safety Devices) | ○ |
| Reset button | ● | Master - slave connecting cable | ○ |
| Pushing arm slide 7.8" - 15.7" | ○ | Pulling arm FBO equipment | ○ |

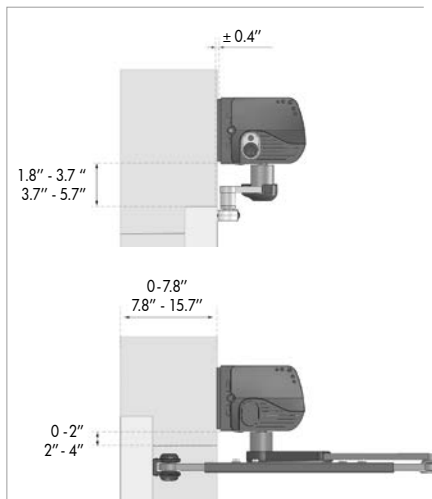
FINISH / CUSTOMIZATION

| | | | |
|----------------|------------|--------------------------------|---|
| AS1 finish | ● | Customized single cover | ○ |
| RAL finish | ○ | Customized double cover | ○ |
| Special finish | ON REQUEST | Double-door intermediate cover | ○ |

● Standard ○ Optional



GREATER INSTALLATION FLEXIBILITY



PORTALP USA, Inc. - 16170 Lee Road Ste 100 - FORT MYERS, FL 33912
Tel (800) 474-3667 sales@portalp.com



Certified management system